

PUMP SPECIFICATIONS

| | |
|----------------------------------|--|
| Maximum output (fully variable) | 139 yd ³ /hr (100 m ³ /hr) |
| Concrete cylinder (hard chromed) | 8" X 70" (200 mm X 1800 mm) |
| Strokes per minute | 28 |
| Concrete pressure (rod side) | 1043 PSI (72 Bar) |
| Concrete pressure (head side) | 1600 PSI (114 Bar) |
| Hopper capacity | 21 ft ³ (600 liters) |
| S-tube | 8" X 7" (200 mm X 180 mm) |
| Hydraulic pump | Rexroth A11VLO190 |
| Cycling System | All hydraulic sensing w/ manual overrides |
| Max. aggregate size | 2 1/2" (65 mm) |
| Vertical Max. (rod side) | 426' (130 m) |
| Horizontal Max. (rod side) | 1049' (320 m) |
| Vertical Max. (head side) | 557' (170 m) |
| Horizontal Max. (head side) | 1410' (430 m) |

OUTRIGGER SPECIFICATIONS

| | |
|---------------|---------------|
| All hydraulic | Yes |
| Rear spread | 7'10" (2.4 m) |

STANDARD ACCESSORIES

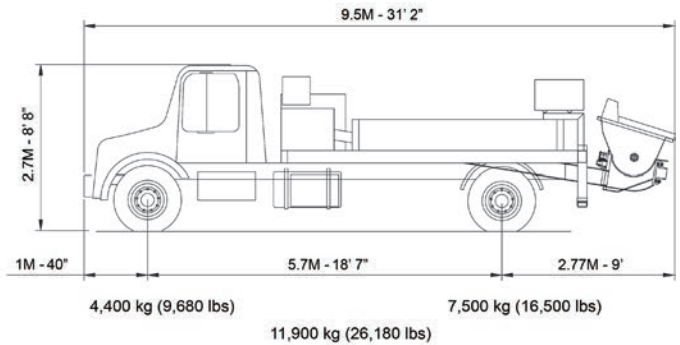
| | |
|---|-------------------------------|
| Wireless proportional remote control HBC | Spare hydraulic hose kit |
| One wire remote control | Spare sensing valves |
| Magnetic working lamp | Spare pumping relay and fuses |
| Blow-out system cap (water) | Two clamps (125 mm) |
| Hopper vibrator | Outrigger pads 2 pieces |
| Automatic greasing system (hopper only) | Grundfos water pump |
| One safety sling | One Water hose plus nozzle |
| Tool box with basic repair items and testing gage | Two clean up sponges |
| | Clean-up scraper |
| | Two manual books |

CML-100

Performs great on both large commercial pours and the smallest residential job; 100 cubic meters per hour.



WEIGHT DIAGRAM



PUMP SPECIFICATIONS

| | |
|---------------------------------|--|
| Maximum output (fully variable) | 70 yd ³ /hr (55 m ³ /hr) |
| Delivery cylinder (hard chrome) | 7" X 43" (180 mm X 1100 mm) |
| Strokes per minute | 36 |
| Concrete Pressure | 1131 PSI (78 Bar) |
| Hopper Capacity | 10.5 ft ³ (300 liters) |
| S-tube | 7" X 5" (180 mm X 125 mm) |
| Hydraulic Pump | Rexroth A11VLO145 |
| Cycling system | Open |
| Max. aggregate size | 1.5" (38 mm) |
| Vertical Max. (rod side) | 328' (100 m) |
| Horizontal Max. (rod side) | 984' (300 m) |

OUTRIGGER SPECIFICATIONS

| | |
|---------------|---------------|
| All hydraulic | Yes |
| Rear spread | 7'10" (2.4 m) |

STANDARD ACCESSORIES

| | |
|---|-------------------------------|
| Wireless proportional remote control HBC | Spare sensing valves |
| One wire remote control | Spare pumping relay and fuses |
| Magnetic working lamp | Two clamps (125 mm) |
| Blow-out system cap (water) | Outrigger pads 2 pieces |
| Automatic greasing system (hopper only) | Grundfos water pump |
| One safety sling | One Water hose plus nozzle |
| Tool box with basic repair items and testing gage | Two clean up sponges |
| | Clean-up scraper |
| | Two manual books |
| Spare hydraulic hose kit | |

CML-55

Perfect for residential and commercial jobs with a maximum capacity of 55 cubic meters per hour.



WEIGHT DIAGRAM

